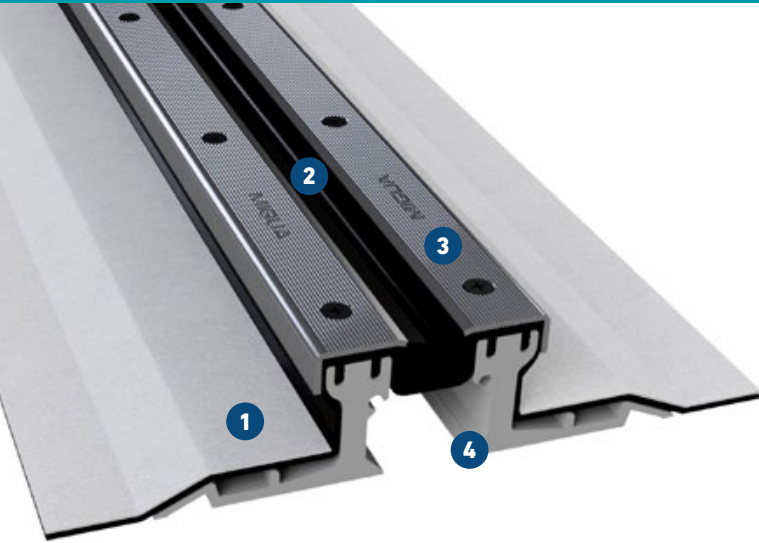


# FP(G) .../60 S NI XA

WITH XA FOILS FOR LIQUID PLASTIC SEALING. HEAVY DUTY

# MIGUTAN

WATERTIGHT EXPANSION JOINT SOLUTIONS



## Official test certificates for watertightness available

Central insert with double-web to provide multilayered protection

- 1 Fleece laminated foil**  
Best possible connection with liquid plastic sealing
- 2 Central insert on top surface**  
Visual inspection and replacement without disrupting the surface
- 3 Striated stainless steel cappings ensures good skid resistance**  
100% watertight by max. pressure
- 4 Mounting brackets are made of high strength aluminium**  
High loads without any risk of rust



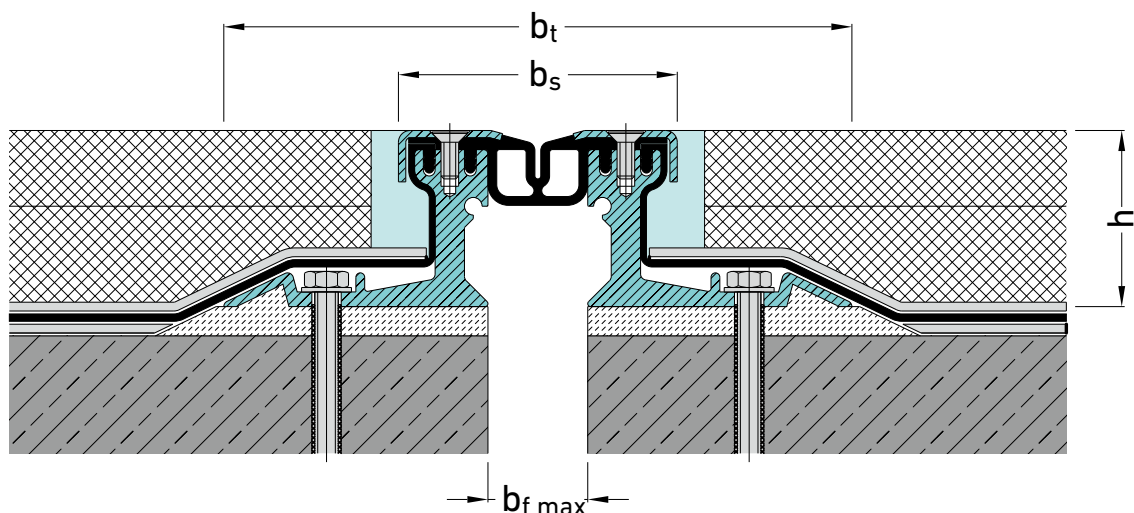
Fire tested Bfl-s1  
(flame retardant)  
acc. to DIN EN 13501-1

Expansion joint cover	Joint width max.	Total movement	Visible width	Total width	Joint height	Load bearing capacity	Load bearing capacity	Load bearing capacity	Load bearing capacity
	$b_f \text{ max}$ [mm]	$\Delta b_f$ [mm]	$b_s$ [mm]	$b_t$ [mm]	$h$ [mm]	[kN]	[kN]	[kN]	solid plastic tyres [kg/mm]
FP 80/60 S NI XA	35	20 (±10)	82	201	60	35	600	130	6,5
FPG 80/60 S NI XA	35	16 (±8)	82	201	60	35	600	130	6,5
FP 90/60 S NI XA	50	40 (±20)	95	214	60	35	600	130	
FPG 90/60 S NI XA	50	20 (±10)	95	214	60	35	600	130	4,3
FP 110/60 S NI XA	65	60 (±30)	111	230	60	35	600	130	
FPG 110/60 S NI XA	65	40 (±20)	111	230	60	35	600	130	
FP 130/60 S NI XA	90	90 (±45)	133	252	60	35	600	130	
FP 155/60 S NI XA */**	110	120 (±60)	155	274	60	35	300	70	

\* Minimum joint width 95 mm

\*\* FP 155/60 S: B<sub>fl, s2</sub>

Sealing against nonpressurized water.



YOU FIRST. **MIGUA**<sup>®</sup>