

reddot design award
winner 2017

- 1 Visually appealing**
The centre plate can be individually designed to match the adjacent surface. The design variation is practically infinite.
- 2 No visible fixing**
- 3 Easy to install**
The bar construction ensures easy installation of the centring system. The centre plate is assembled after finishings are completed, thus minimizing the risk of damage by other contract work sections.

Maintenance-free

No permanently elastic sealing required
Comes with plate in standard white. Any design is possible.
Please contact us.

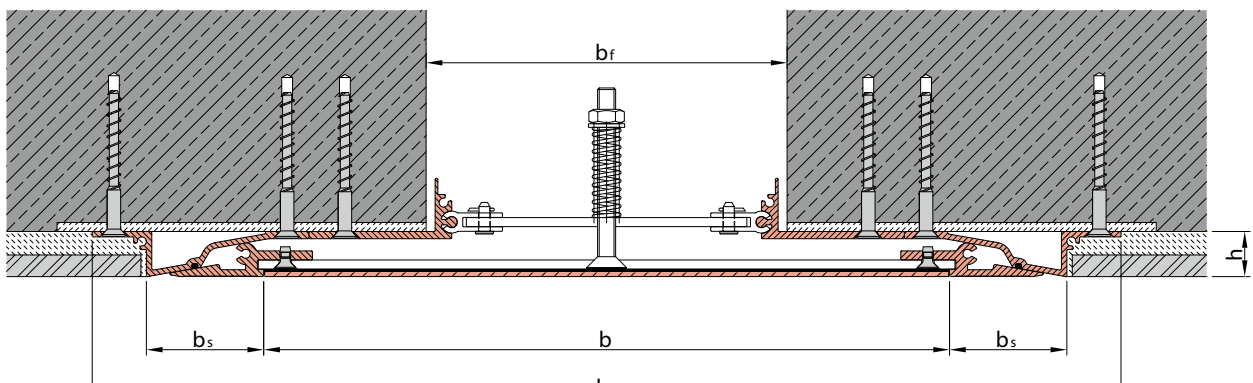
Expansion joint cover	Joint width max. b_f max [mm]	Total movement thermal Δb_f [mm]	Total movement seismic Δb_f [mm]	Visible width b_s [mm]	Width infill b [mm]	Width total b_t [mm]	Installation height h [mm]
WSP 100	100	40 (± 20)	185 (+150/-35)	65	280	470	25
WSP 150	150	40 (± 20)	235 (+150/-85)	65	330	520	25
WSP 200	200	40 (± 20)	285 (+150/-135)	65	380	570	25
WSP 300	300	40 (± 20)	385 (+150/-235)	65	480	670	25
WSP 400	400	40 (± 20)	535 (+200/-335)	65	580	770	25
WSP 500	500	40 (± 20)	935 (+250/-435)	65	740	930	25

Joint width by the time of installation. Potential tolerance: ± 10 mm

Further joint widths available on demand.

Standard colour: Aluminium

Production length: 3 m



SEISMIC WALL COVER

WSP – FLEXIBLE DESIGN

With this innovative wall joint cover named WSP, Migua, created an outstanding design that the expert committee for the Red Dot Award has recognised with the internationally sought-after seal of quality.

This seismic wall joint cover WSP is setting new standards. A joint of 30 cm is covered by the WSP without any visible fastening material while its intelligent construction can accommodate ± 15 cm movement non-destructively. A conventional joint cover solution would show a 62 cm wide visible

surface made of metal and rubber. In contrast, the WSP reduces the visible surface to 2 x 7 cm by integrating a freely designable panel. This offers entirely new design options for architects. For the first time ever, virtually invisible wall joints can be realized, or the exact opposite can be achieved: The joint can be intentionally highlighted as a functional design element, e.g. as a part of a building guidance system.

Please contact us for further details.

